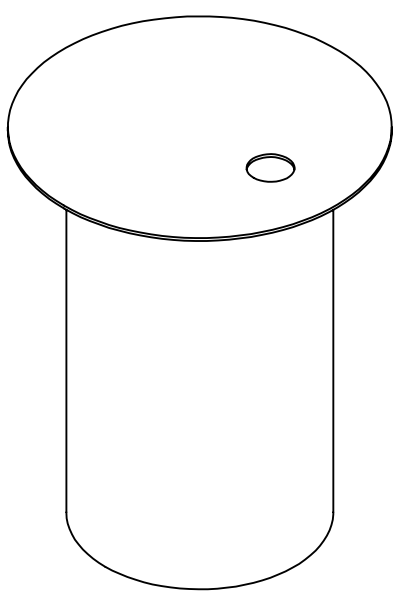
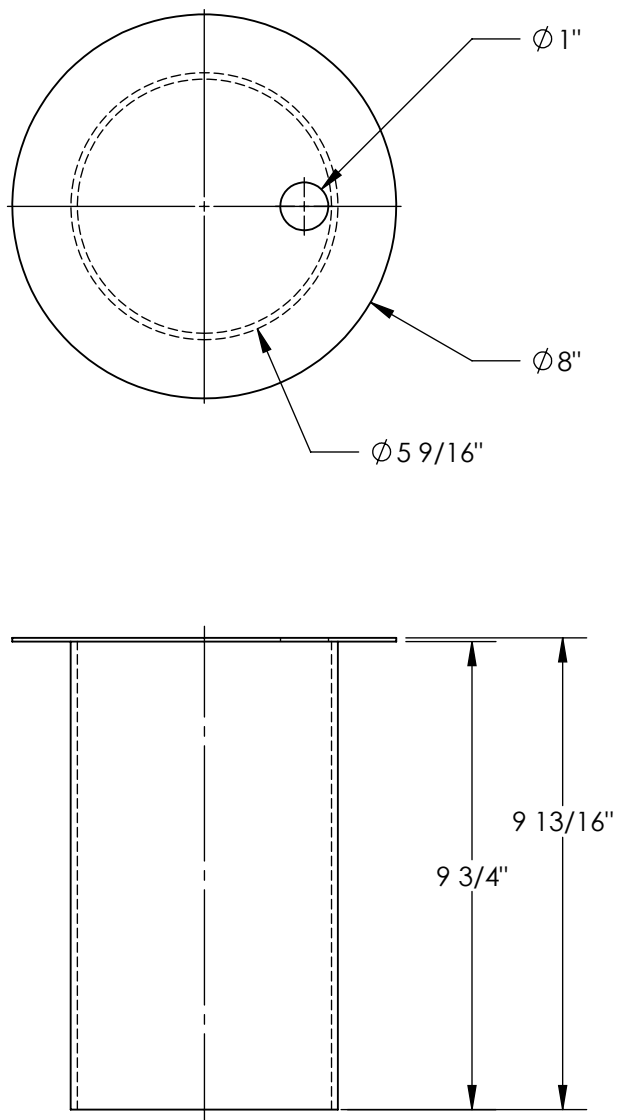


BOLLARD SLEEVE COVER: BOL-R-SLV-CV

APPROX WEIGHT: 7.37 lbs. DOES NOT INCLUDE WEIGHT OF POWER OR PACKAGING!!!
 ANY ADDITIONS, DELETIONS, OR OMISSIONS MUST BE CORRECTED ON THIS DRAWING AS THIS DRAWING WILL BE CONSIDERED ALL INCLUSIVE



ALL GRAPHICS PROVIDED ARE FOR REFERENCE ONLY. IF CERTAIN DIMENSIONS ARE CRITICAL PLEASE VERIFY THOSE DIMENSIONS WITH YOUR SALESPERSON

DIMENSION TOLERANCE $\pm 1/4''$

STANDARD FEATURES

MODEL NUMBER: BOL-R-SLV-CV
 OVERALL HEIGHT: $9 \frac{13}{16}''$
 INSERT HEIGHT: $9 \frac{3}{4}''$
 COVER DIAMETER: $\varnothing 8''$
 INSERT DIAMETER: $\varnothing 5 \frac{9}{16}''$
 FOR USE WITH THE IN-GROUND MOUNTED
 BASE SLEEVE ON BOL-R SERIES BOLLARDS
 TOUGH BAKED IN POWDER COATED
 YELLOW FINISH

SPECIAL FEATURES

NONE

APPROVAL	I, THE UNDERSIGNED, AGREE THAT THE PRODUCT AS REPRESENTED SATISFIES DESIGN AND DIMENSION REQUIREMENTS. I ALSO ACKNOWLEDGE MY DUTY TO CONFIRM PRODUCT AND INSTALLATION COMPLIANCE WITH ALL APPLICABLE FEDERAL, STATE AND LOCAL REGULATIONS AND STANDARDS.	
	UNITS REQUIRING APPROVAL DRAWINGS OR MODIFIED ARE NON-RETURNABLE	
	<input type="checkbox"/> As drawn	<input type="checkbox"/> As marked
	Signed: _____	Date: _____
	Printed Name: _____	
	LEAD TIME WILL START UPON RECEIPT OF SIGNED APPROVAL DRAWING	

DISTRIBUTOR'S NAME:		P.O.#
VESTIL MANUFACTURING		X
DRAWN BY: SR		W.O.#
DATE: 04/16/2010		X
REFERENCE: X	SCALE: 1:4	SALES: X
QUOTED LEAD TIME: X	QUOTE #	FILE NAME:
	X	23-007-397